

TOOTH RIBBED BELT

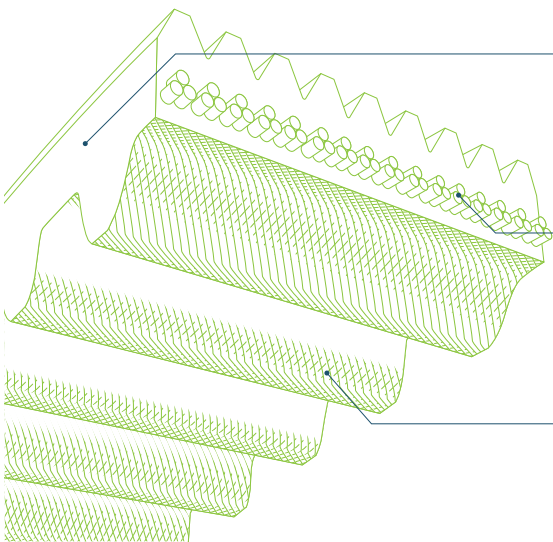
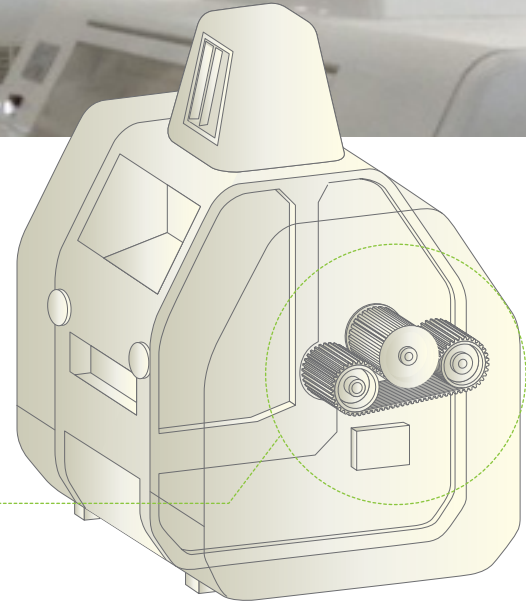
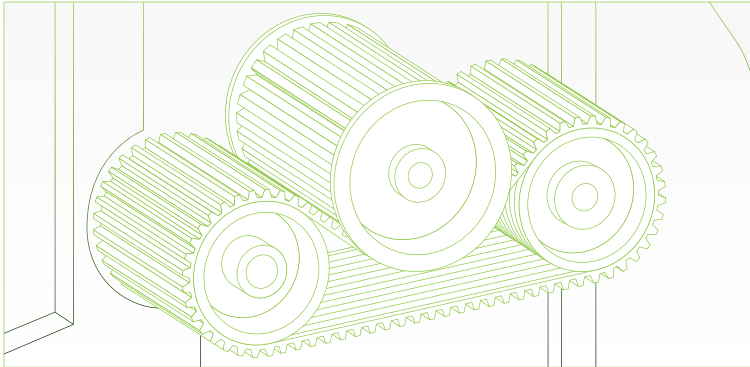
The Choice for Multi-Axis Driving

**BANDO**



TOOTH RIBBED BELT

Application Example: Milling Machine



01 Rib Rubber
Synthetic rubber with excellent durability and wear resistance provides high torque power transmission.

02 Tension Member
Fiberglass cord provides good dimensional stability and flexibility.

03 Tooth Face Fabric
Woven canvas cover provides smooth mesh with the pulley for less friction and lower noise.

Part Number Example

| | | |
|-----------------------|---------------|-------------------|
| 30PK | S8M | 1552 |
| No. of Ribs | Tooth profile | Belt pitch length |
| 30x3.56=106.8mm width | STS S8m pitch | 1552mm |

Standard sizes

PK S8M1552
PK S8M1760

- * Available on request:
- Rib number
 - Other sizes
 - Multiple matched sets



@BandoUSAInc



BandoUSA.com



800-829-6612



BandoUSA@bandogrp.com

BUI 1054/01-20